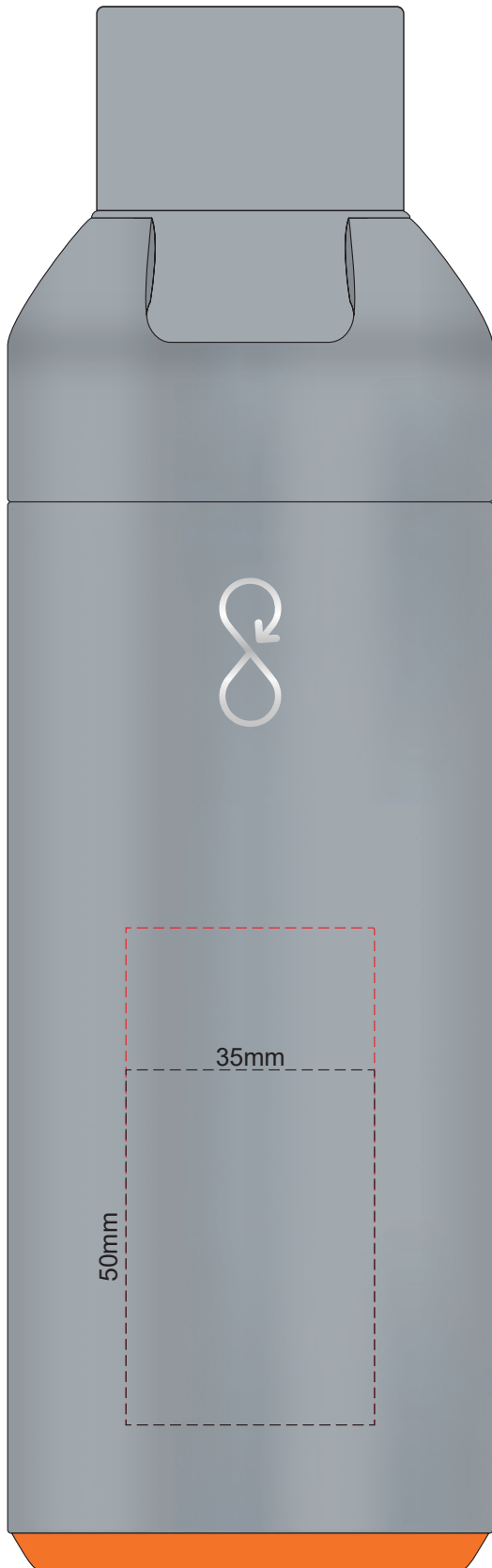
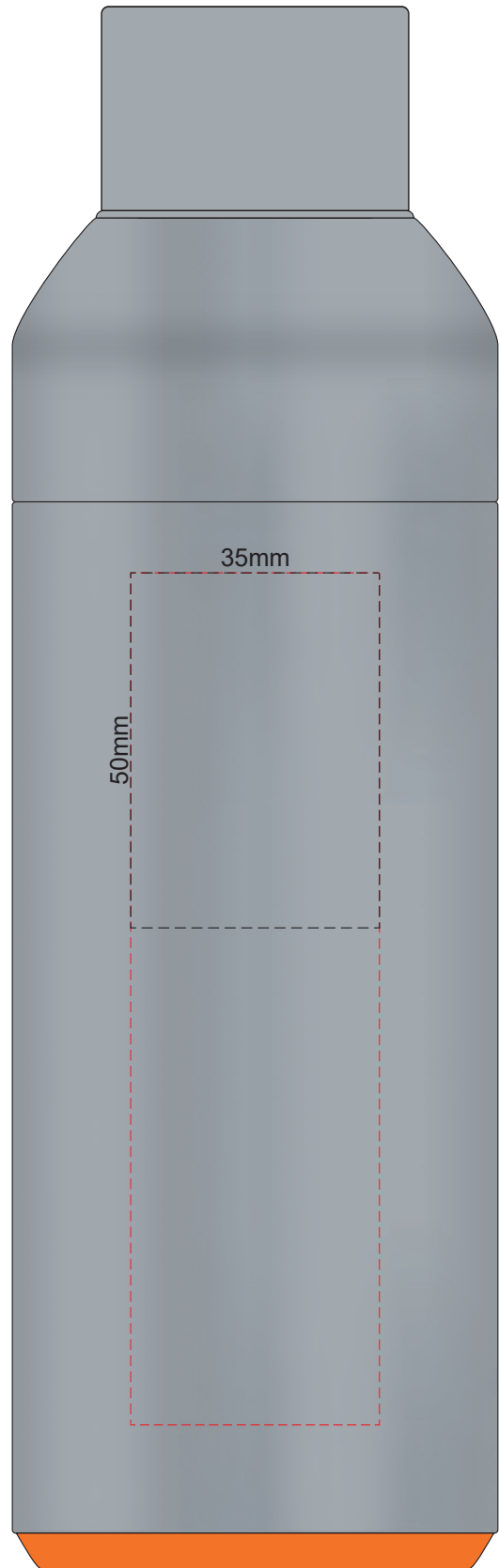




100% of Actual Size
Pad Print



FRONT

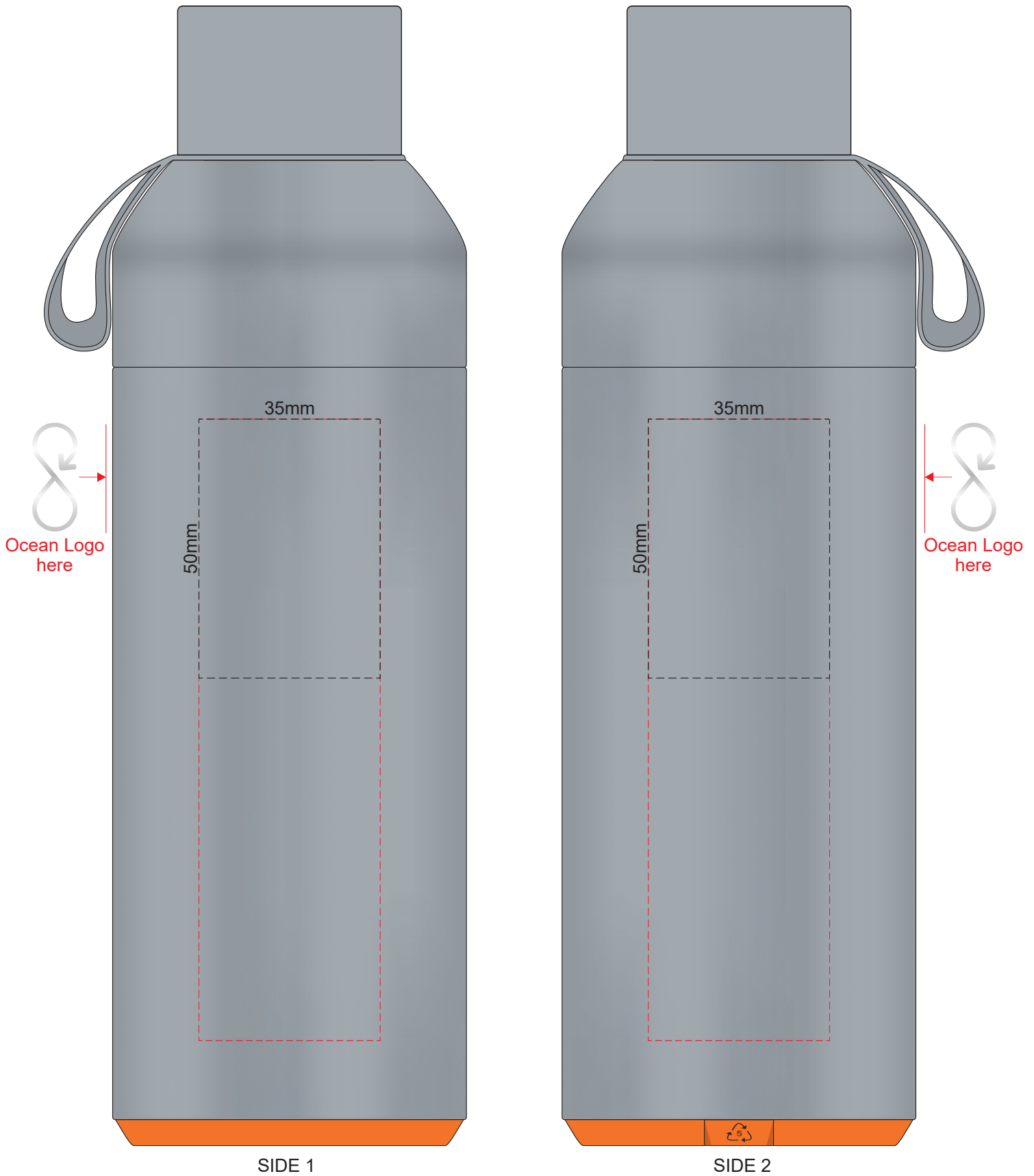


BACK

Branding area can be moved anywhere within the red line.



100% of Actual Size
Pad Print



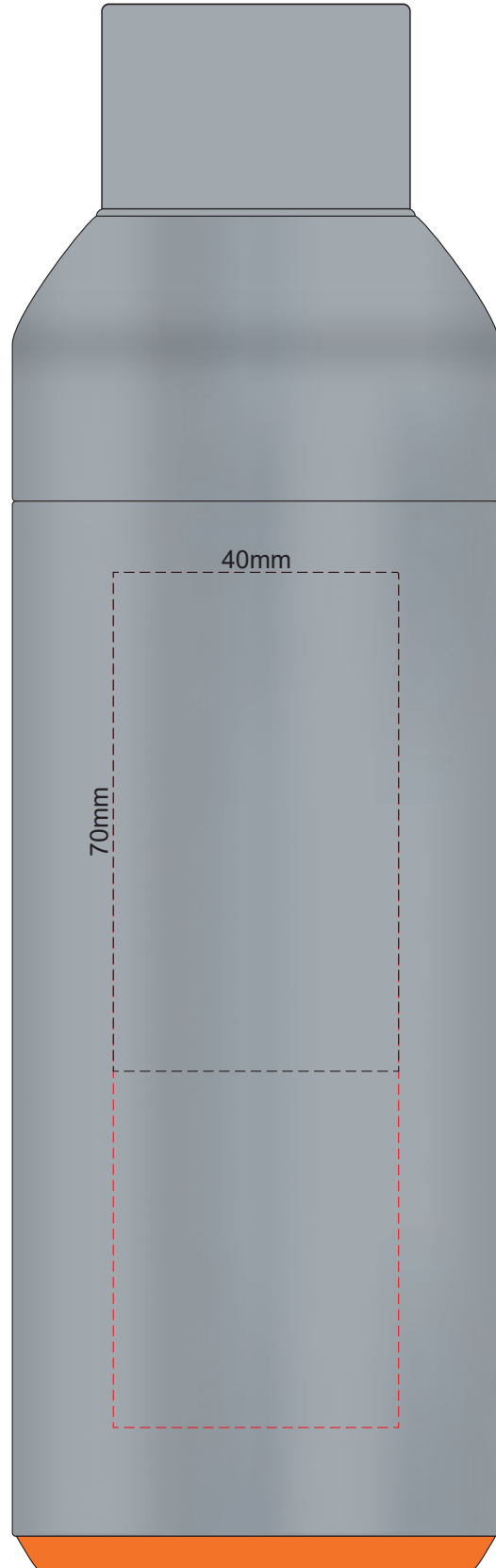
Branding area can be moved anywhere within the red line.



100% of Actual Size
Laser Engraving



FRONT



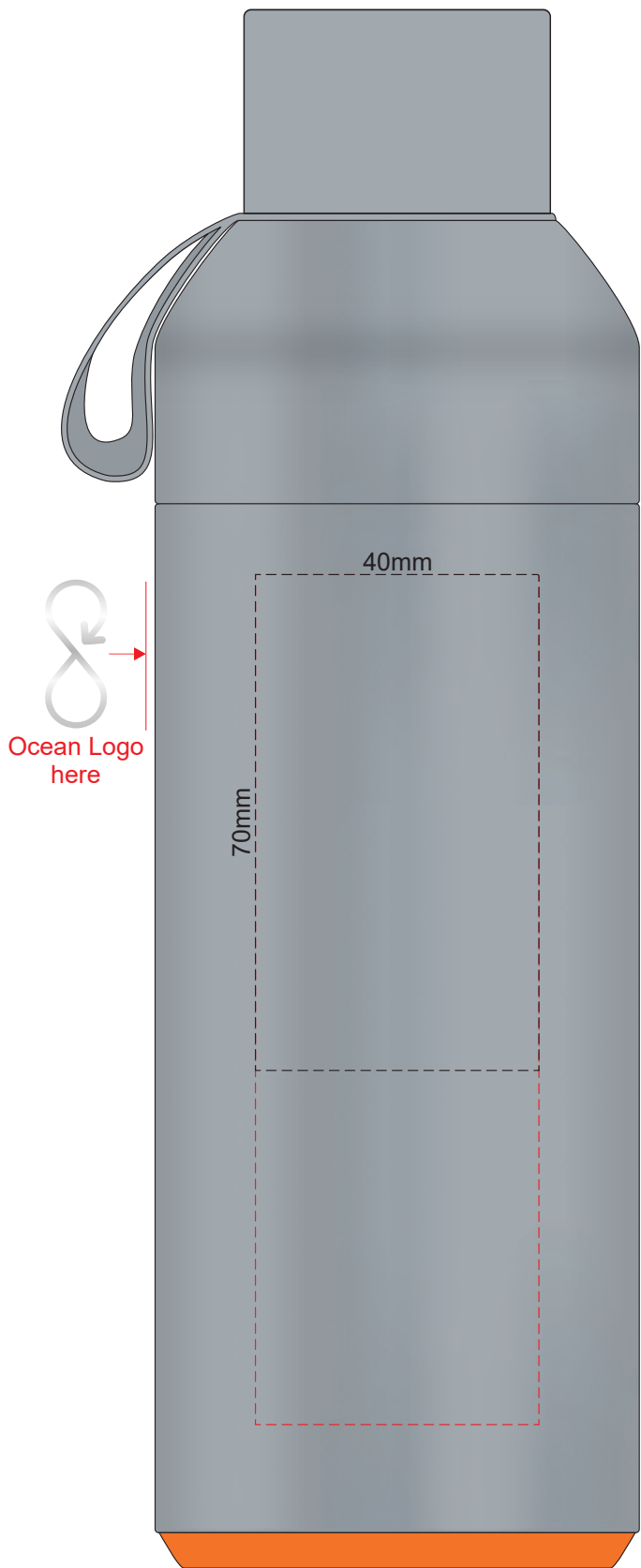
BACK

Branding area can be moved anywhere within the red line.

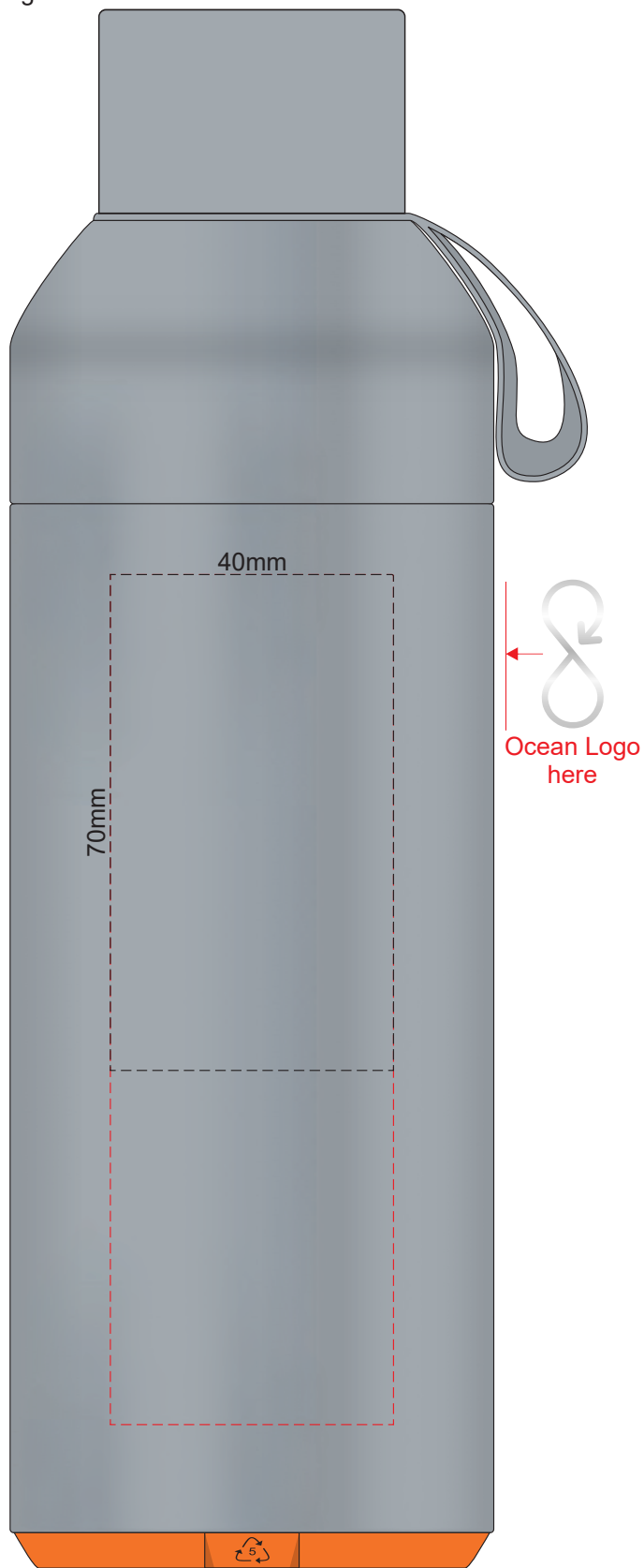
 Shiny Stainless Steel Finish



100% of Actual Size
Laser Engraving



SIDE 1



SIDE 2

Branding area can be moved anywhere within the red line.



Shiny Stainless Steel Finish