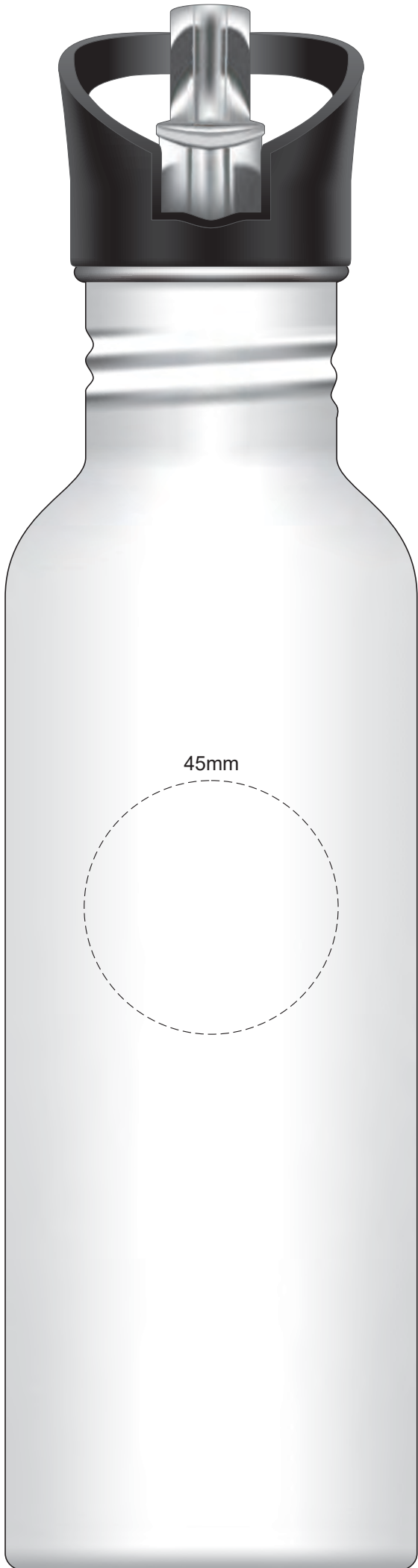
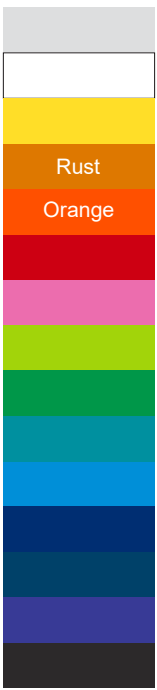
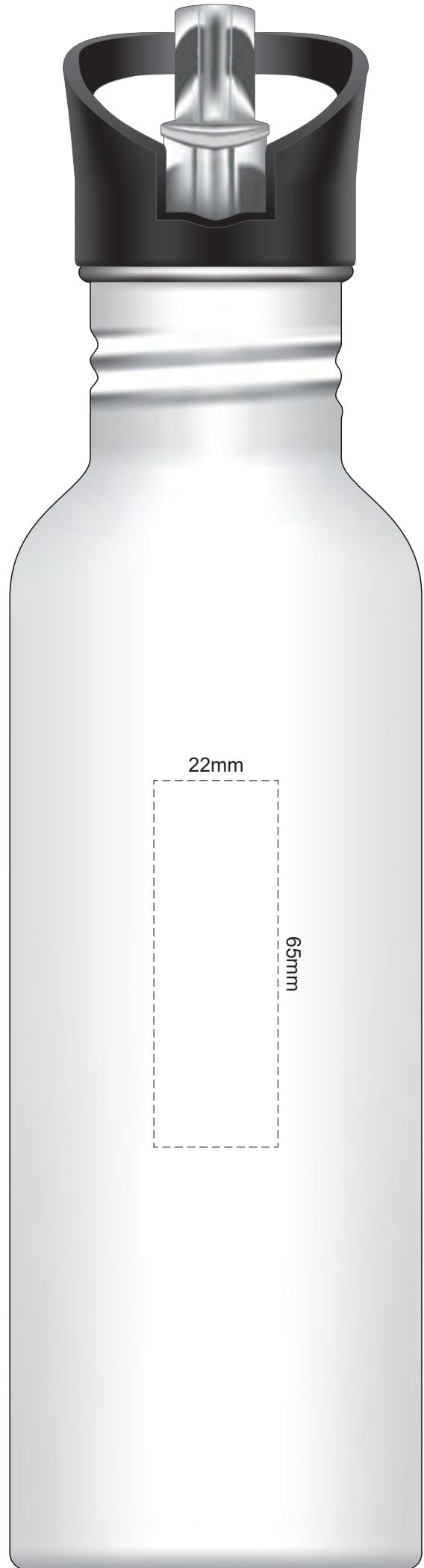


100% of Actual Size  
Pad Print



100% of Actual Size  
Pad Print





90% of Actual Size  
Screen Print

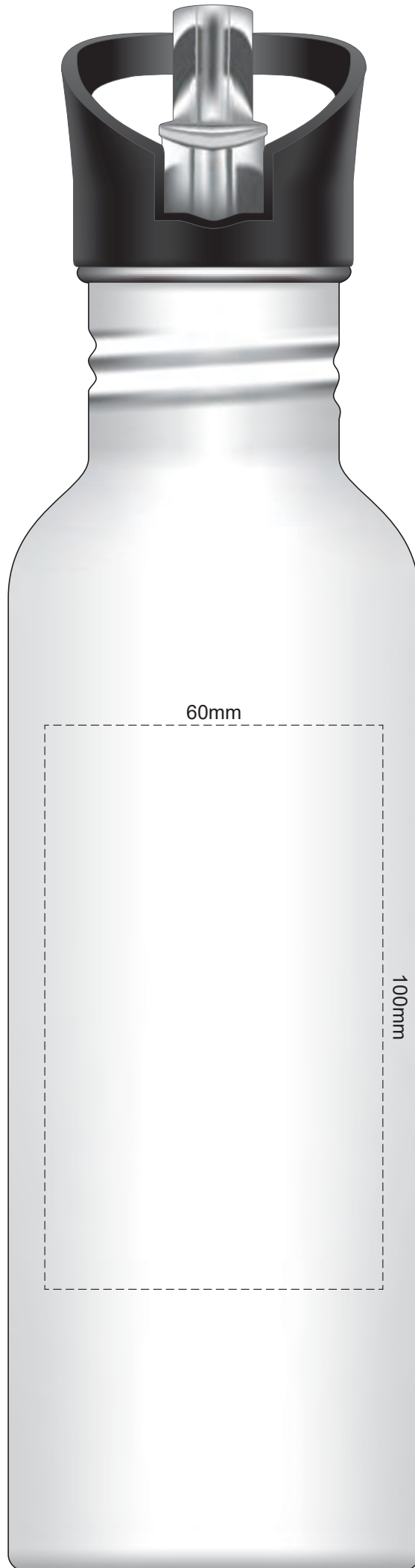
180mm

Approximately 20mm unprintable area

Approximately 20mm unprintable area  
120mm

Red Line = Exact opposites of the product  
(centre artwork to the red line)

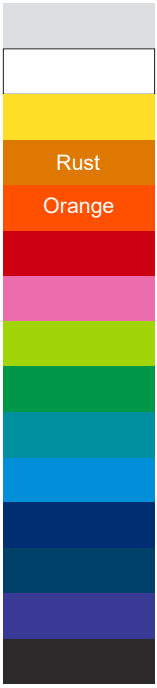
100% of Actual Size  
Engraving



Rust

Orange

-  Stainless Engraves to a Natural Etch
-  Colours Engraves to a Shiny Steel Finish



80% of Actual Size  
Rotary Digital  
(Gloss Finish)

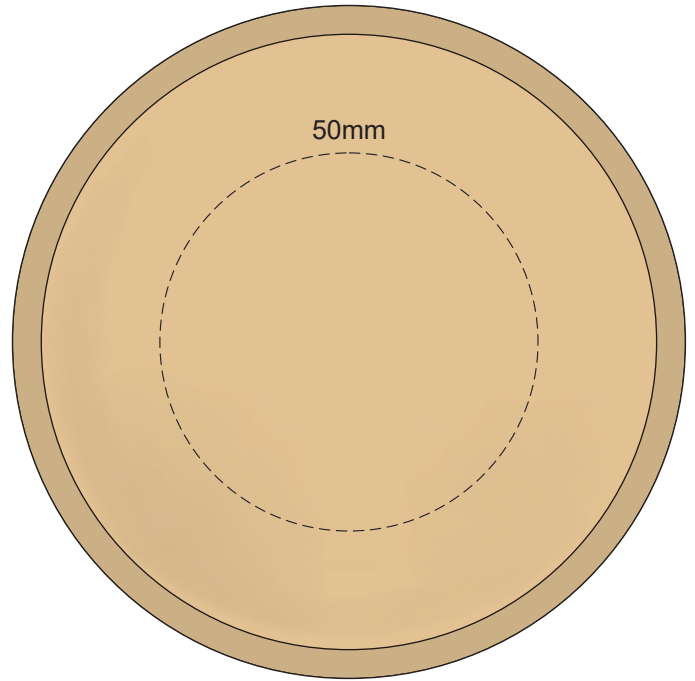
224mm

Approximately 1mm unprintable area

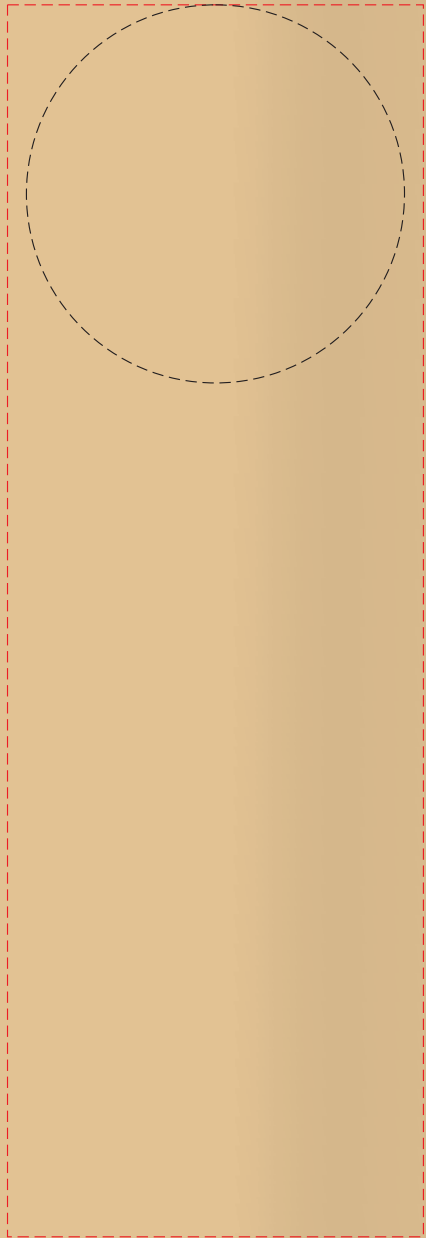
Approximately 1mm unprintable area  
163mm

Red Line = Exact opposites of the product  
(centre artwork to the red line)

100% of Actual Size  
Pad Print (one colour)

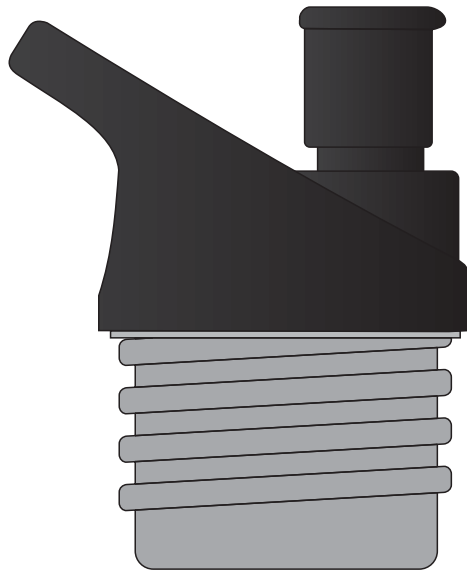


50mm

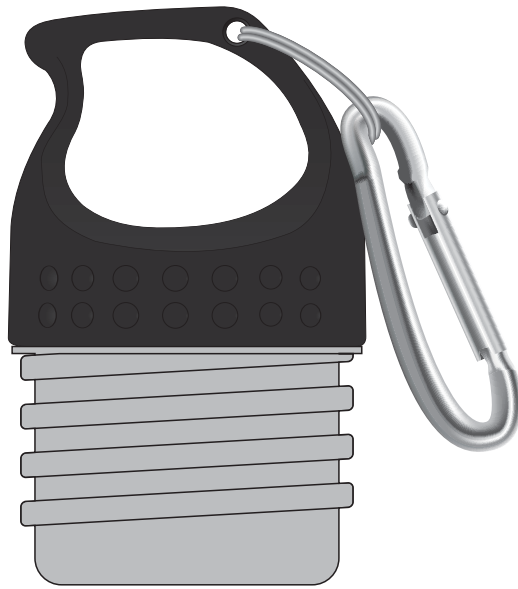


Branding area can be moved anywhere within the red line

**SIPPER LID**



**CARABINER LID**



**FLIP VALVE LID**

